













Installation Manual

Step 1 Balcony bracket installation

1 Installation tools

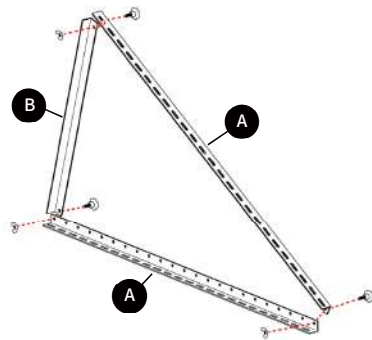
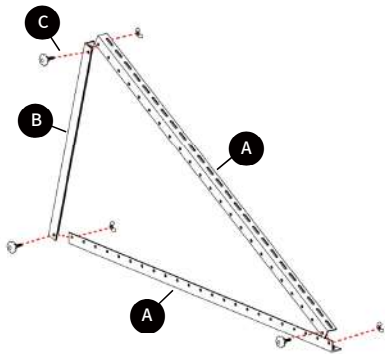


2 System components

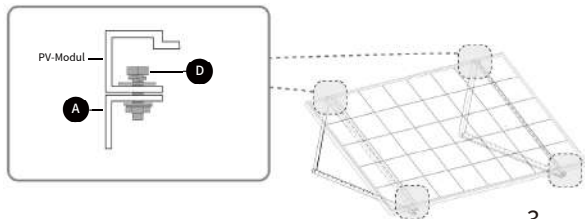
Profile - long		4
Profile - short		2
Screw + Nut		6
Screw with washer + Nut		6
Cross brace		1
Screw with washer + Nut		2
Hook		2
Locking Screw		2
Hose clamp		4
Expansion bolt		4

3 Bracket installation

- 1 Assemble the Profiles (A) and (B) with Screws (C) as shown.

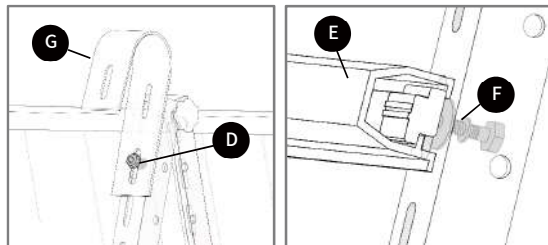
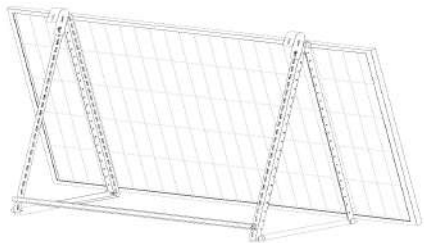


- 2 Now mount the PV-Modul and the Profile (A) with screws and nuts (D).

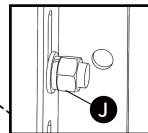
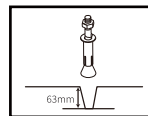
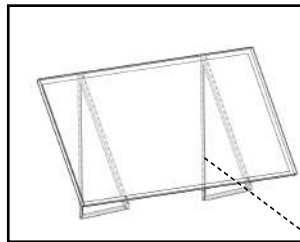
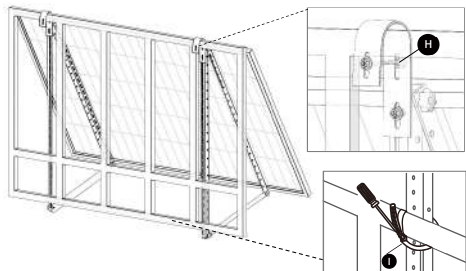


Notice: The angle of inclination of the can vary due to the different mounting of the Profile (D) can be varied.

- ③ Mount the hooks (G) to the Profiles (A) with screws and nuts (D). Then attach the cross brace (E) to the Profiles (A) with screws and cross brace connectors (F).



- ④ Carefully hang the bracket onto the railing. Secure the bracket adequately to the railing. To do this, use the locking screws (H).



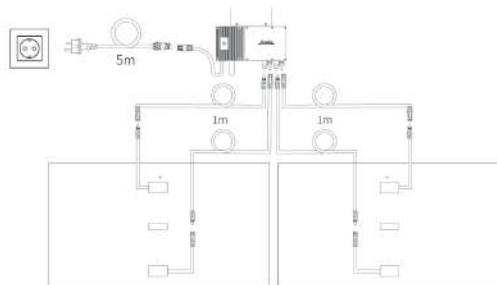
Step 2 Inverter installation

Floor standing bracket mounting
Fixing the inverter to the bracket using screws



Balcony bracket installation
Attaching the inverter to the railing using stainless steel ties

Step 3 Wiring of photovoltaic panels



1. Connect one end of the DC cable to the PV panel first.
2. The other end of the DC cable is connected to the inverter.
3. Snap the AC cable to the inverter, But don't connect on the grid side yet.

This step must be done while there is enough sunlight for the solar panel to provide power to the microinverter.



Company: NINGBO AUSTA SOLAR TECH CO.,LTD

Add: 1-1, [NO.136.Haichuan Road](#), Jiangbei District, Ningbo, Zhejiang, P.R.China

Web: www.austasolar.net

E-mail: marketing@osdasol.com